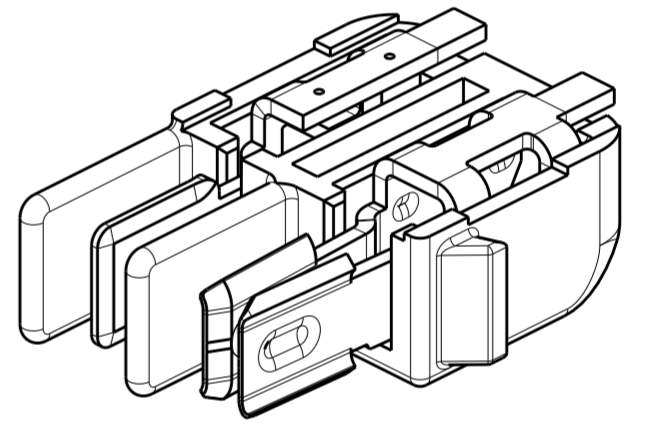
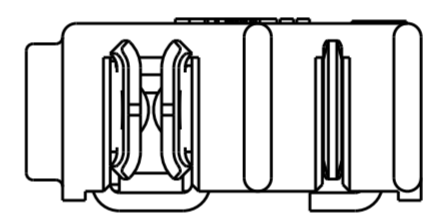
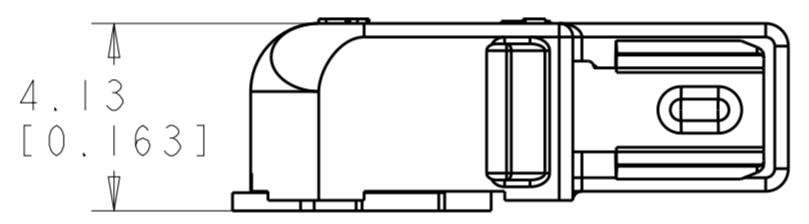
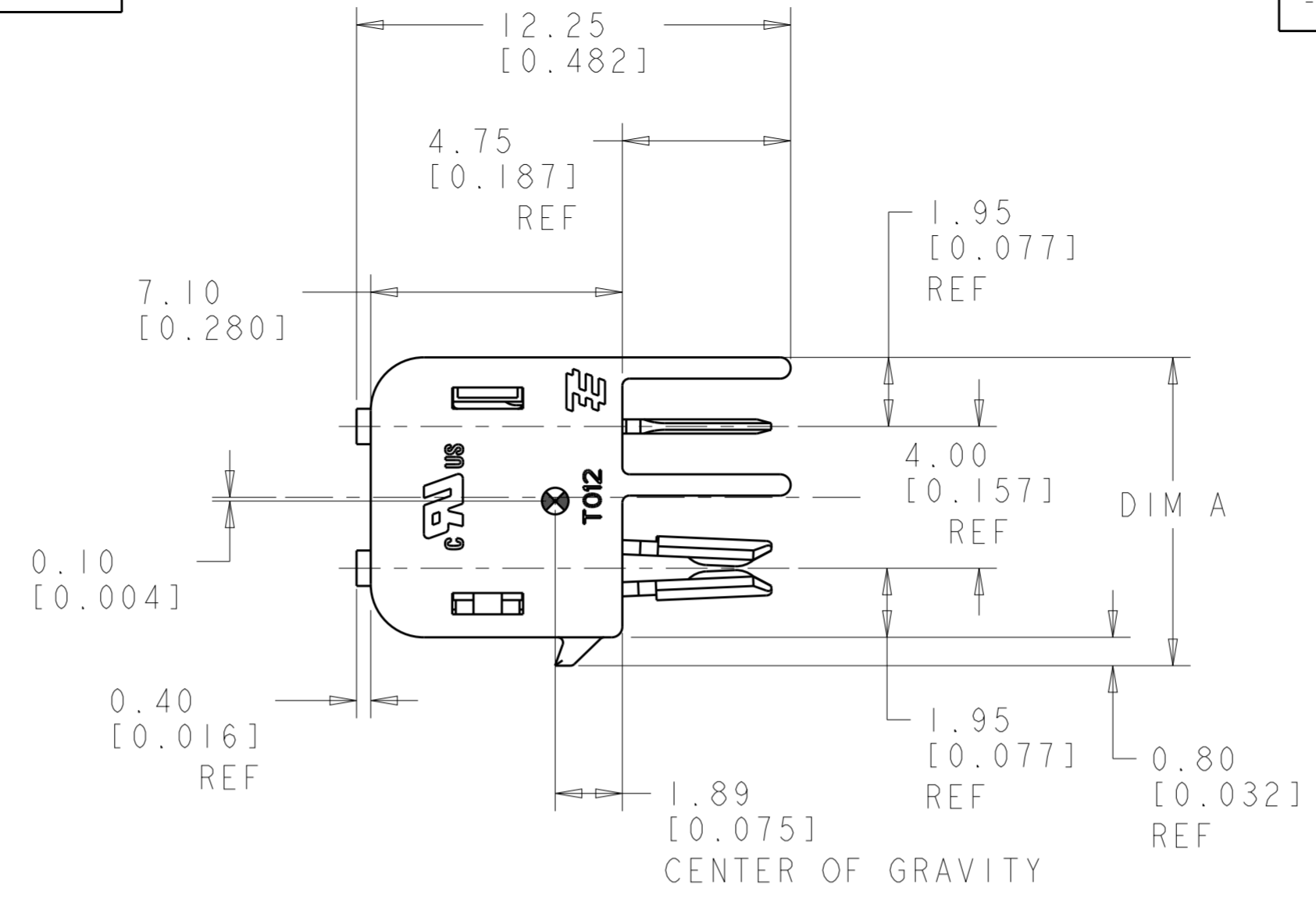


THIS DRAWING IS UNPUBLISHED. RELEASED FOR PUBLICATION 20  
 © COPYRIGHT 20 BY - ALL RIGHTS RESERVED.

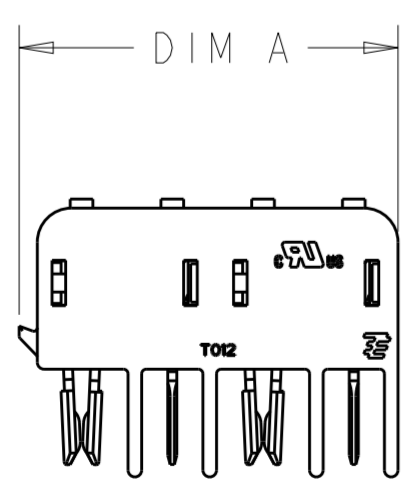
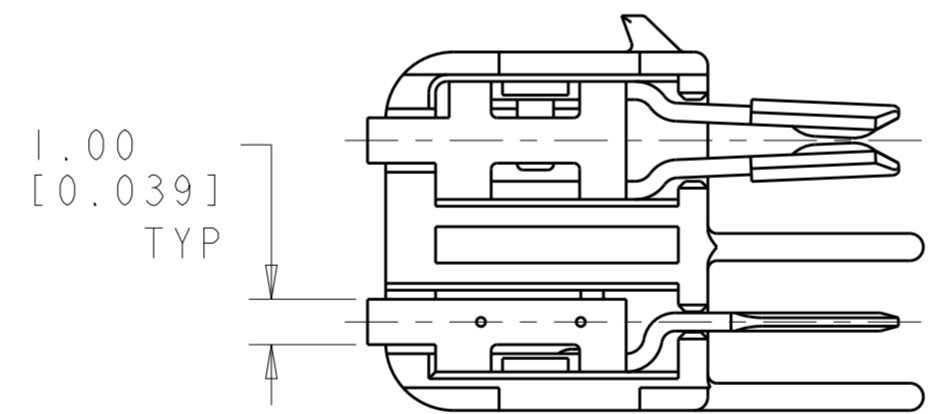
LOC		DIST		REVISIONS			
P	LTR	DESCRIPTION	DATE	DWN	APVD		
	A	REVISED PER ECR-16-005567	19APR2016	RS	DD		
	AI	REVISED PER ECR-16-010299	20JUL2016	RS	PO		

NOTES:

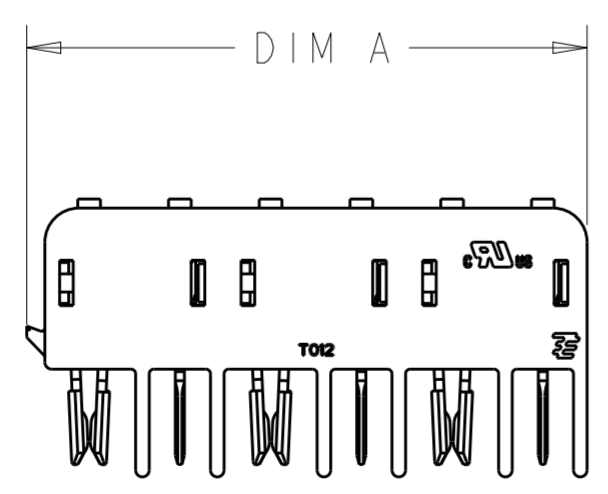
- 1. MATERIALS AND FINISH
  - HOUSING: LCP
  - CONTACTS: COPPER ALLOY, FINISH: TIN AND SELECT GOLD
- 2. PRODUCT TO COMPLY WITH DIRECTIVE 2002/95/EC (ROHS)
- 3. PACKAGED IN TAPE AND REEL



2213614-1/  
1-2213614-1  
SHOWN



2213614-2/  
1-2213614-2  
SCALE 3:1



2213614-3/  
1-2213614-3  
SCALE 3:1

POSITION	COLOR	DIM A	PART NO.
6	BLACK	24.70	1-2213614-3
4	BLACK	16.70	1-2213614-2
2	BLACK	8.70	1-2213614-1
6	NATURAL	24.70	2213614-3
4	NATURAL	16.70	2213614-2
2	NATURAL	8.70	2213614-1

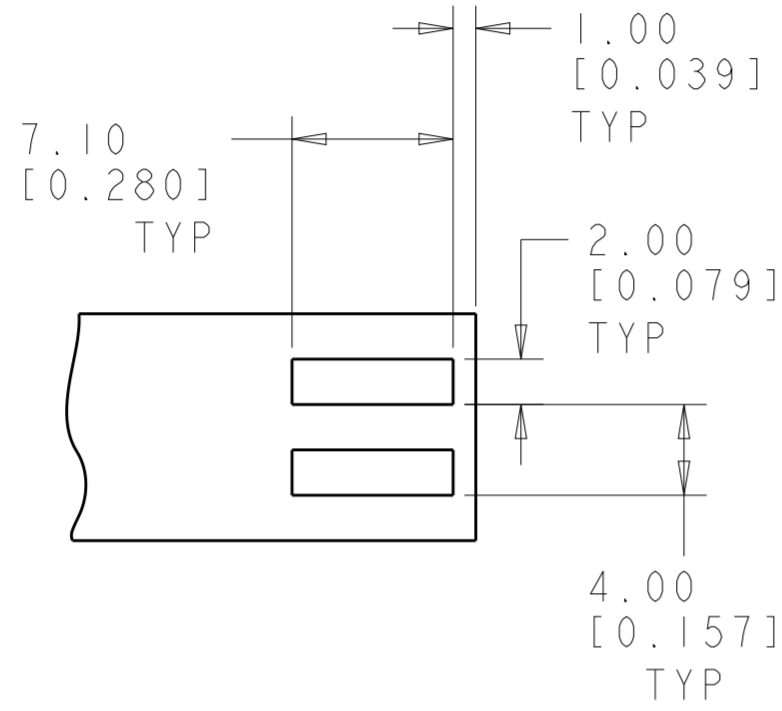
THIS DRAWING IS A CONTROLLED DOCUMENT.

DIMENSIONS:	TOLERANCES UNLESS OTHERWISE SPECIFIED:	DWN	RAVLS	17JAN2015
mm	0 PLC ±	CHK	D. DECKER	17JAN2015
	1 PLC ±0.13	APVD	D. DECKER	17JAN2015
	2 PLC ±0.13	PRODUCT SPEC		108-2342
	3 PLC ±0.013	APPLICATION SPEC		114-13225
	4 PLC ±	WEIGHT		-
	ANGLES ±1°	CUSTOMER DRAWING		
	FINISH	SCALE	6:1	SHEET 1 OF 2

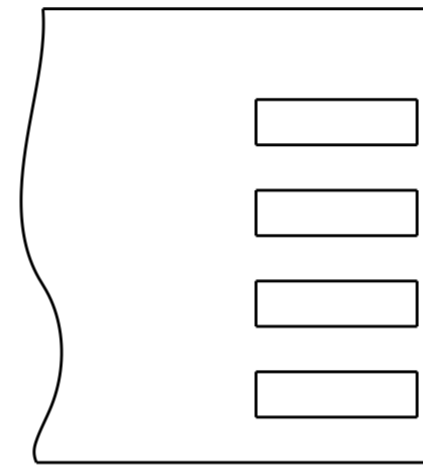
STE TE Connectivity  
 NAME: CONNECTOR ASSEMBLY, HERMAPHRODITIC BLADE AND RECEPTACLE, WITH LATCH  
 SIZE: A200779 CAGE CODE: C-2213614  
 RESTRICTED TO: -  
 REV: AI

THIS DRAWING IS UNPUBLISHED. RELEASED FOR PUBLICATION 20  
 © COPYRIGHT 20 BY - ALL RIGHTS RESERVED.

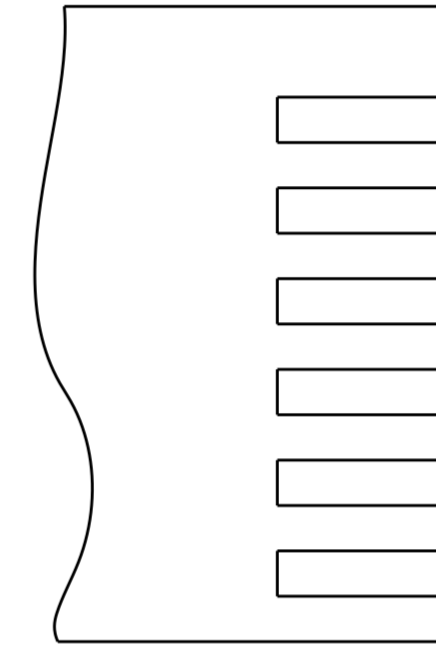
LOC		DIST		REVISIONS			
P	LTR	DESCRIPTION		DATE	DWN	APVD	
-	-	SEE SHEET 1		-	-	-	



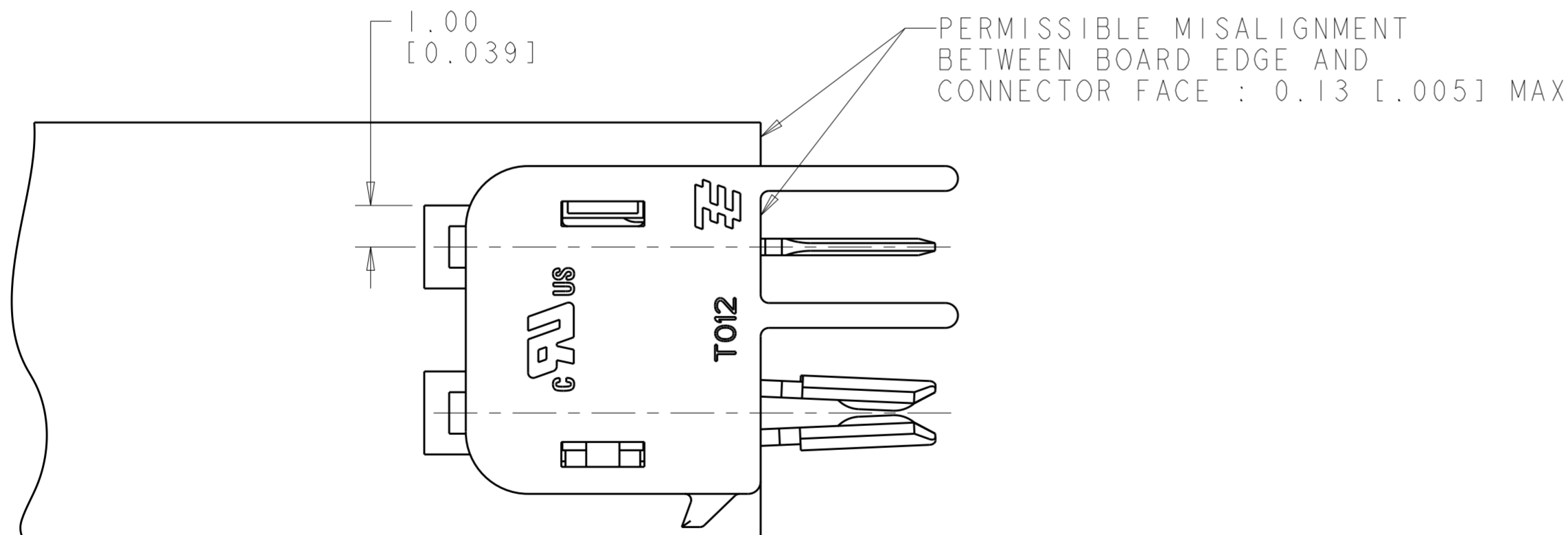
RECOMMENDED PCB LAYOUT FOR 2213614-1 & 1-2213614-1



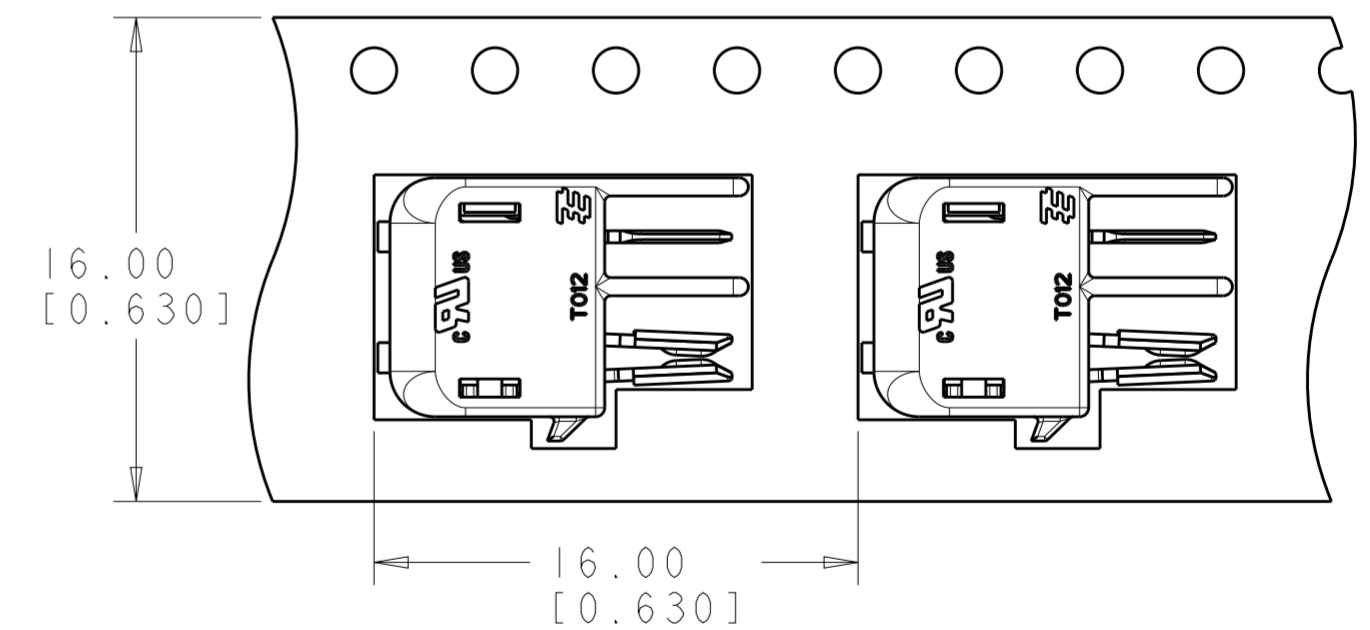
RECOMMENDED PCB LAYOUT FOR 2213614-2 & 1-2213614-2



RECOMMENDED PCB LAYOUT FOR 2213614-3 & 1-2213614-3



SCALE 8:1



TO BE PACKAGED AS SHOWN SCALE 4:1

THIS DRAWING IS A CONTROLLED DOCUMENT.		DWN RAVLS 17 JAN 2015	TE Connectivity	
		CHK D. DECKER 17 JAN 2015		
		APVD D. DECKER 17 JAN 2015	NAME CONNECTOR ASSEMBLY, HERMAPHRODITIC BLADE AND RECEPTACLE, WITH LATCH	
DIMENSIONS:		PRODUCT SPEC	SIZE	
mm		108-2342	CAGE CODE	
TOLERANCES UNLESS OTHERWISE SPECIFIED:		APPLICATION SPEC	DRAWING NO	
0 PLC	±	114-13225	A200779	
1 PLC	±	WEIGHT	C-2213614	
2 PLC	±0.13		RESTRICTED TO	
3 PLC	±0.013		-	
4 PLC	±		SCALE 3:1 SHEET 2 OF 2 REV A1	
ANGLES	±1°			
FINISH				
MATERIAL		CUSTOMER DRAWING		