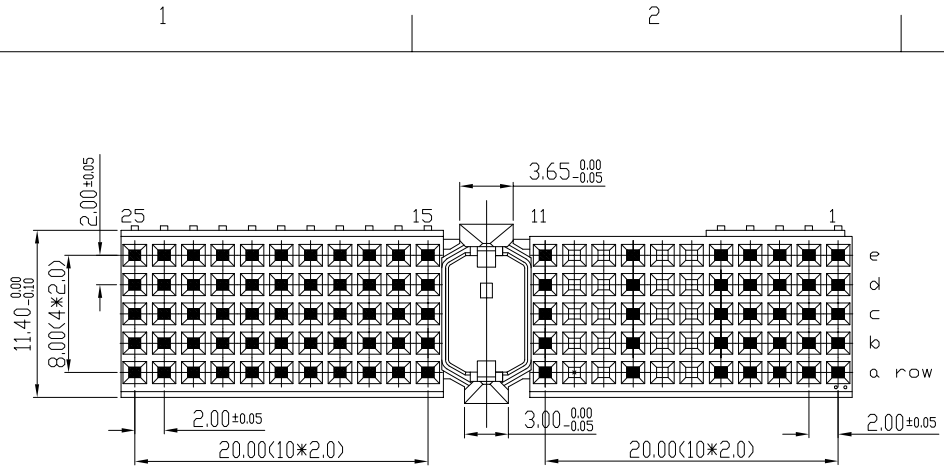


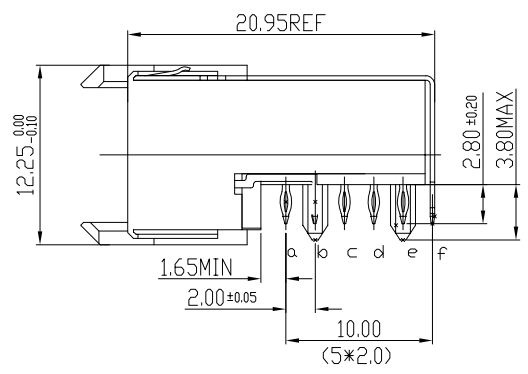
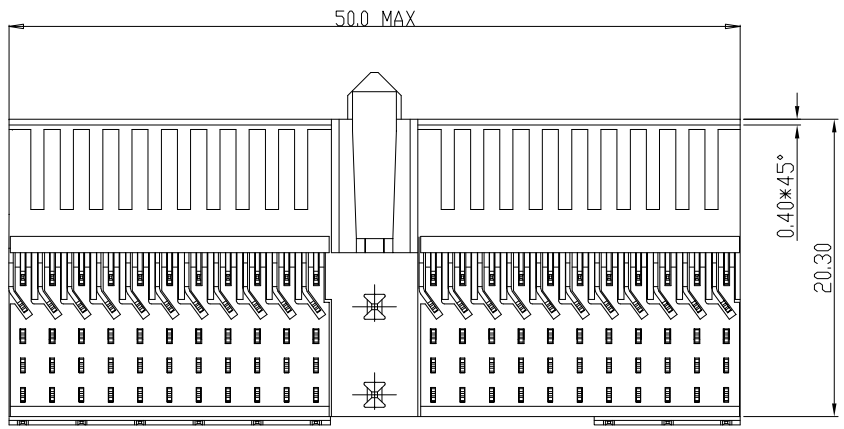
Tous droits strictement réservés. Reproduction ou communication à des tiers interdite sous quelque forme que ce soit sans autorisation écrite du propriétaire. Propriété de c FCI. Droits de reproduction FCI.



All rights strictly reserved. Reproduction or issue to third parties in any form whatever is not permitted without written authority from the proprietor. Property of FCI. Copyright FCI.

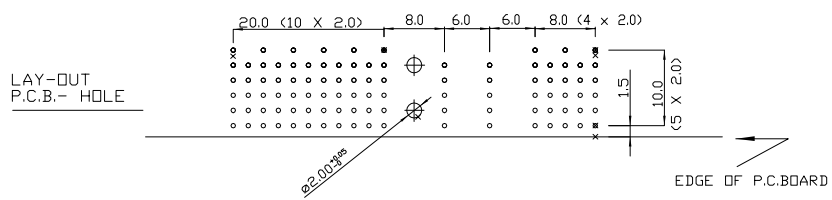


□ EMPTY CAVITY  
 ■ CAVITY LOADED WITH CONTACT



**PERFORMANCE CHARACTERISTICS**  
 CURRENT RATING 1.5A AT 20°C (FULLY LOADED)  
 1 A AT 70°C (FULLY LOADED)  
 RATED VOLTAGE : 500 V AC (CONT /CONT)  
 OPERATING TEMPERATURE : -55°C TO 125°C  
 CONTACT RESISTANCE 20 MΩ MAX  
 INSERTION FORCE : 0.75N MAX/CONT  
 EXTRACTION FORCE : 0.15N MIN/CONT  
 INSULATION RESISTANCE : 10<sup>4</sup> MΩ MIN

- NOTES 1. LEAD FREE INDICATOR LF=LEAD FREE  
 PERFORMANCE LEVEL INDICATOR (REF DWG NO.BSC 201844.003)  
 2. THIS PRODUCT IS CSA APPROVED. THIS PRODUCT IS UL RECOGNIZED.  
 3. FOR RECOMMENDED PTH DIMENSIONS REFER DRAWING : BS.A.201572.001  
 4. THIS PRODUCT (LF) MEETS EUROPEAN UNION DIRECTIVES AND OTHER COUNTRY REGULATIONS AS DESCRIBED IN GS-22-008



rev	ecn no	dr	date
A	CONVERSION REVISION 02	KN	14-09-01
B	DG05-0381	Kasor	10-10-05
-	-	-	-
-	-	-	-
-	-	-	-

Material		Spec ref	
Mat code	Heattreat	tolerance	projection
Plating/Finish	Dr M.Fret	1DEC±0.2 1DEC 2DEC ± 0.10 2DEC ANGLES±1°DIEKEN	MM
Eng	04-08-99	size	Scale
Chr	Product family MILLIPICS	A4	1.500
Appr	Model Name	ECN	
	Model Revision	REL Level	
FCI	title	dwg no	Rev.
	MPACS 5+2R RA RCP CONN	BS,C ,202468,017	B
Pro/E file	catalog no	CUSTOMER	sheet 1 of 1
	HM2R01PACA39----		